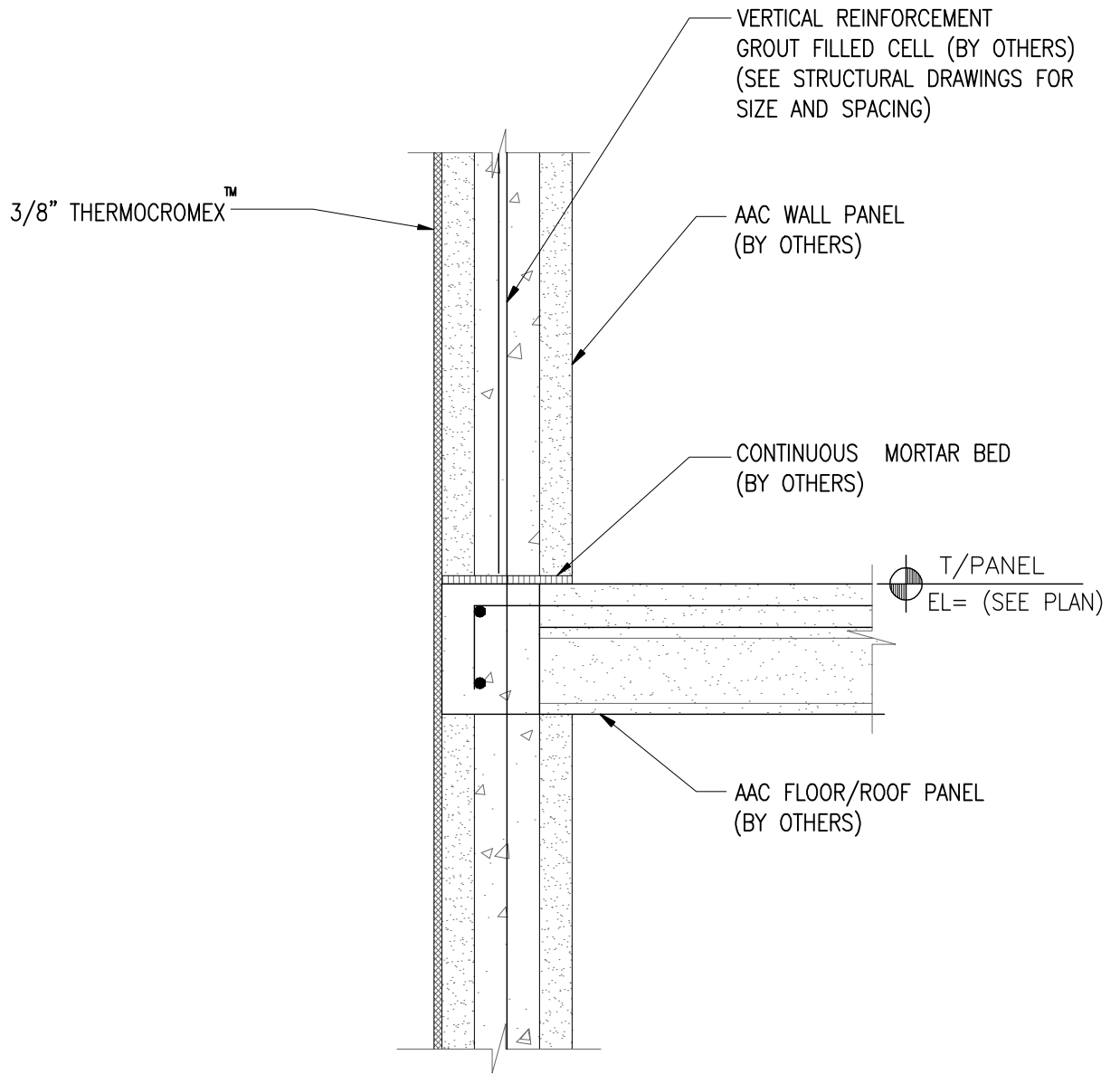


TM
**THERMOCROMEX OVER
 AAC LIGHT WEIGHT CONCRETE
 AT FLOOR/ROOF PANELS
END BRG. (PANEL)**



SCALE = 1 1/2" = 1'-0"