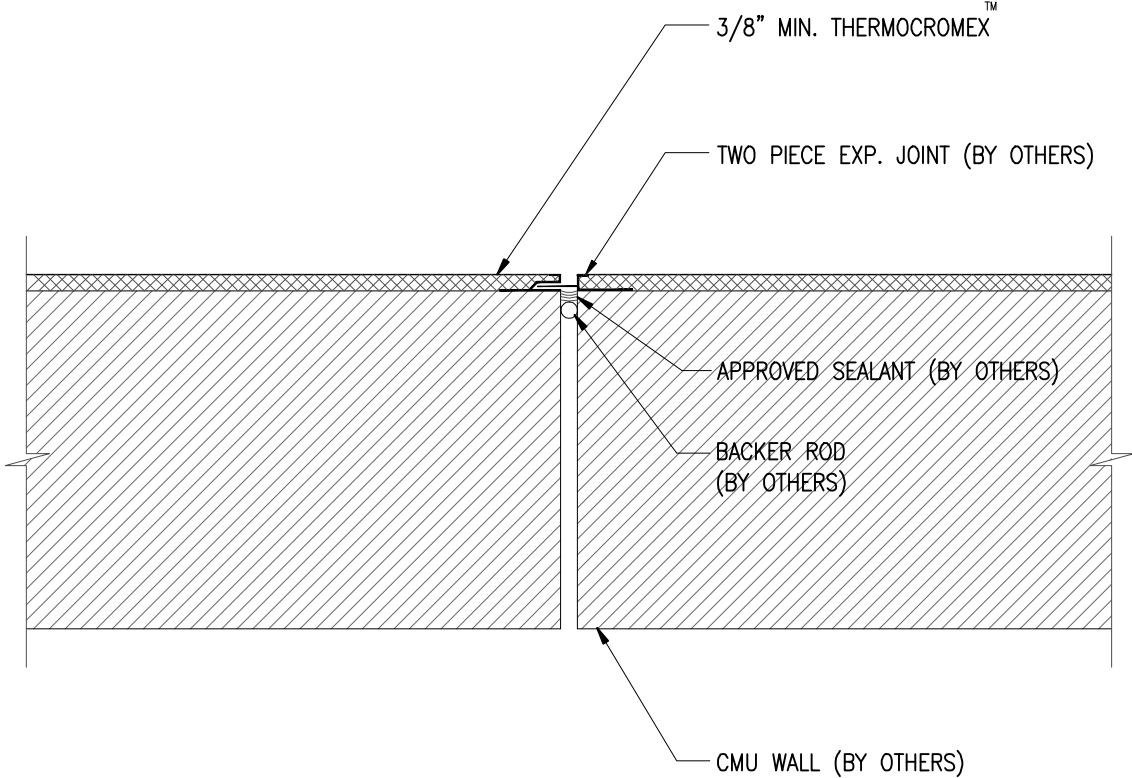


**TWO PIECE EXPANSION
AT CONTROL JOINT
IN CMU WALL**



SCALE = 3" = 1'-0"