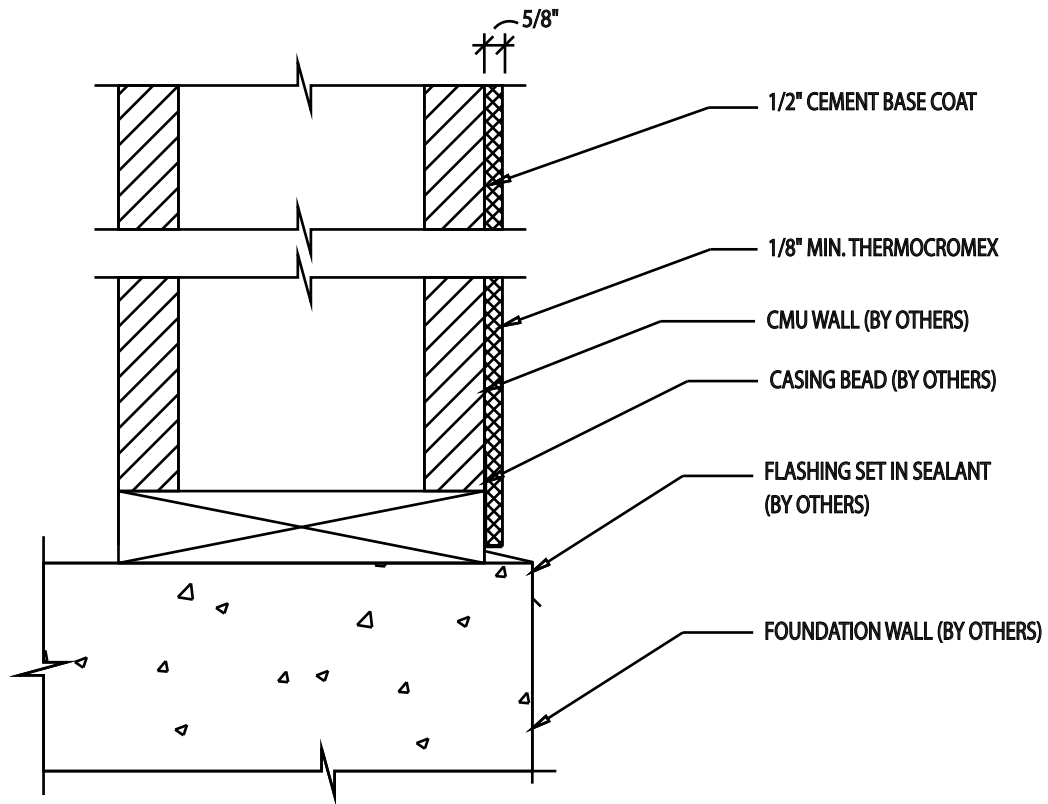


**THERMOCROMEX- CMU ECONOMY  
CASING BEAD AT  
CONCRETE FOUNDATION**



**SCALE = 3" = 1'-0"**