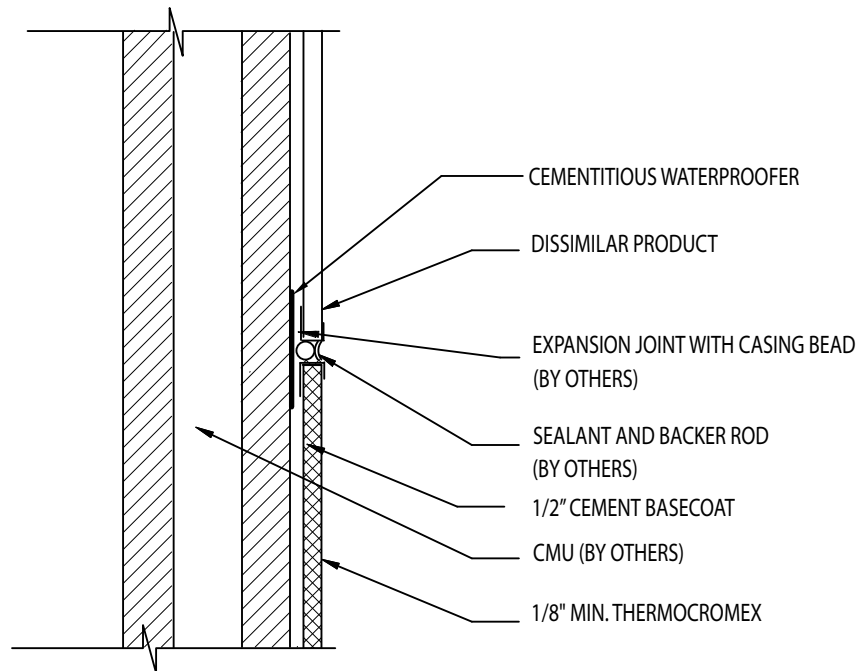


THERMOCROMEX  
CMU ECONOMY OPTION  
TWO DISSIMILAR PRODUCTS



SCALE = 3" = 1'-0"



[www.thermocromex.com](http://www.thermocromex.com)

NOTE: ALL COMPONENTS DESIGNATED IN DRAWINGS SHALL BE DESIGNED, DETAILED AND ENGINEERED BY REPRESENTATIVES OF THE ARCHITECT, OWNER OR CONTRACTOR IN COMPLIANCE WITH MODEL CODES, ARCHITECTURAL AND ENGINEERING REQUIREMENTS PERTAINING TO SPECIFIC BUILDING PROJECTS. SOUTHWEST PROGRESSIVE ENTERPRISES INC., MAKES NO REPRESENTATION REGARDING CONFORMITY OF ITS SUGGESTIONS TO MODEL BUILDING CODES, ENGINEERING CRITERIA, SPECIFIC APPLICATIONS OR PROJECT LOCATIONS. SOUTHWEST PROGRESSIVE ENTERPRISES INC., MAKES NO WARRANTY, EXPRESSED OR IMPLIED AS TO THE ARCHITECTURAL DESIGN, ENGINEERING, OR WORKMANSHIP OF PROJECTS USING THERMOCROMEX.