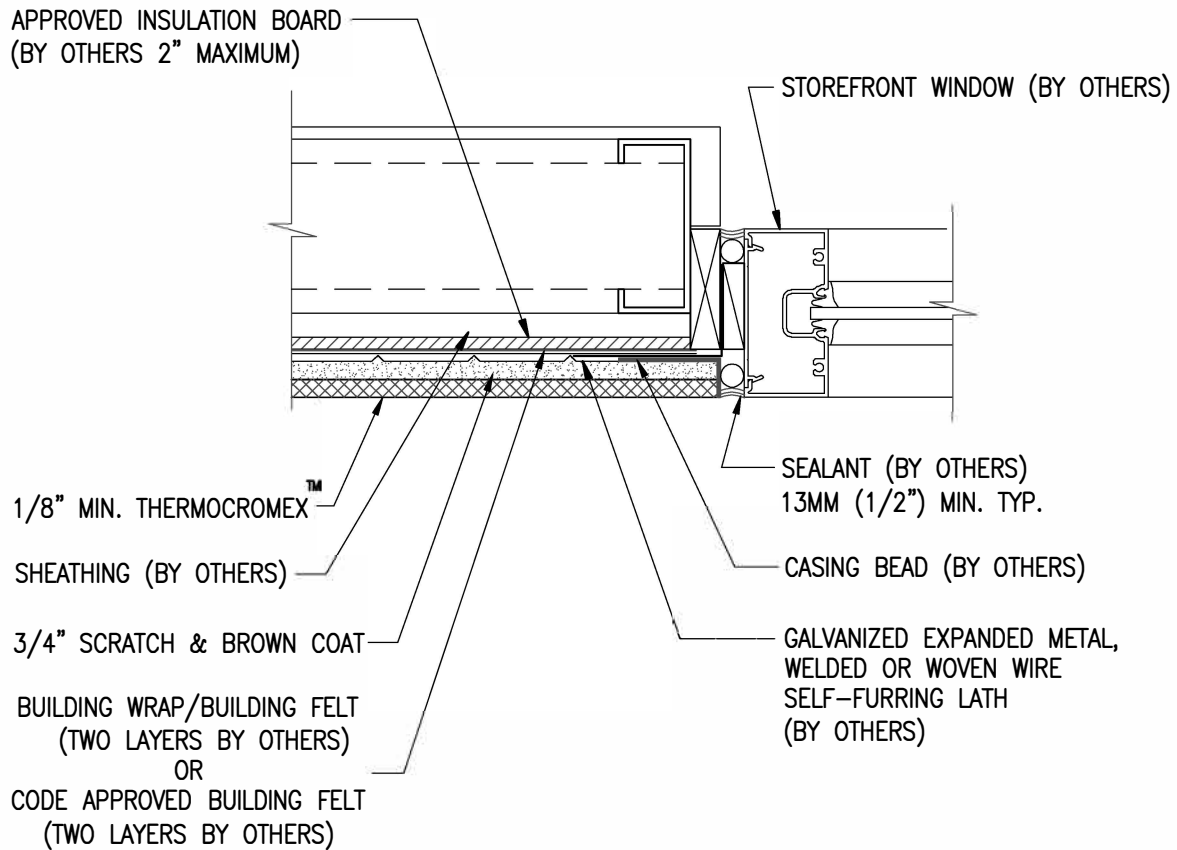


THERMOCROMEX™ OVER FRAME & SHEATHING TERMINATION AT STOREFRONT WINDOW JAMB



SCALE = 3" = 1'-0"