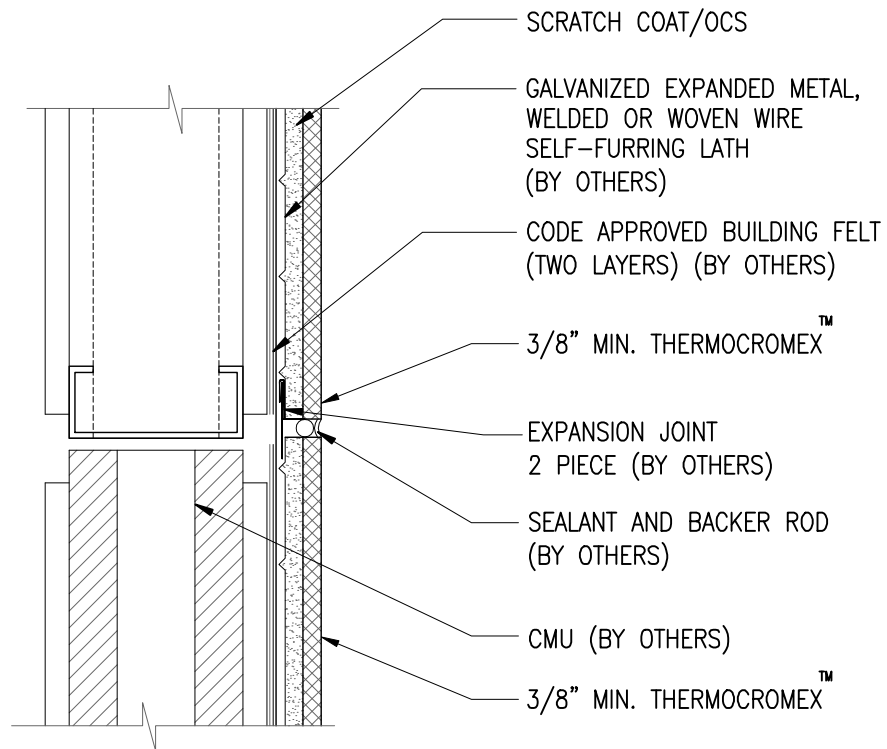


THERMOCROMEX™ TWO DISSIMILAR SUBSTRATES



SCALE = 3" = 1'-0"